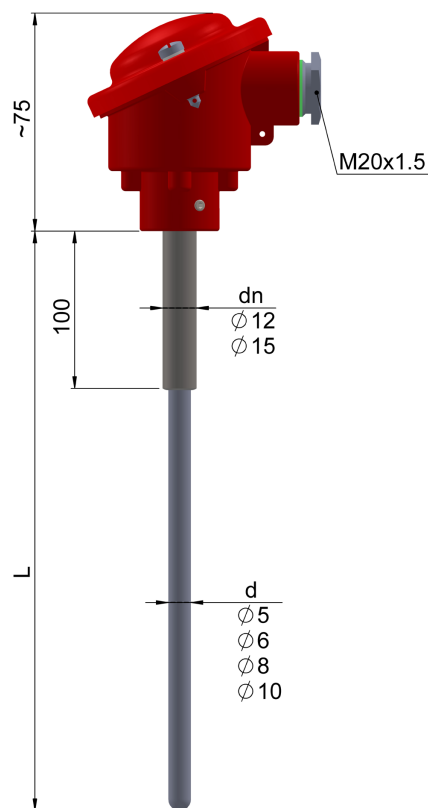


Temperature sensors for aggressive environments TTSC-42, TTRC-42, TTBC-42

Technical description

Measuring range / sensing element			
(0 ÷ 1600) °C	R, S	class 2	
(600 ÷ 1700) °C	B	class 3	
Thermowell			
– material of the holding tube: steel 1.4541 (max. 700 °C)			
– material of the ceramic thermowell : monokryształ Al ₂ O ₃ 99,99% (SAP)			
– diameter d [mm]: ø5, ø6, ø8, ø10 (standard ø10 mm)			
Sheath diameter d [mm]	Thermowell diameter nośnej d _n [mm]	Max. length L _{max.} [mm]	Wire diameter [mm]
ø5	ø12	500	ø0,35 max. 1500 °C or ø0,5 max. 1600 °C for (S, R) max. 1700 °C for (B)
ø6	ø12	500	
ø8	ø12	1000	
ø10	ø15	1400	
Connection head			
– BA, IP54, (-40 ÷ 100) °C			
Options			
– thermocouple R, S: class 1; B: class 2			
Additional accessories			
– temperature transmitters – p. 225+241			
– mounting brackets: UG1-12, UG1-15 – p. 215			
– compensation cables – p. 197			



Ordering code

Temperature sensor	...	TT	...	C-42	-	...	-
With transmitter	AP												
Thermocouple PtRh10-Pt		S											
Thermocouple PtRh13-Pt		R											
Thermocouple PtRh30-PtRh6		B											
Thermowell diameter d [mm]				5, 6, 8, 10									
Material of the ceramic thermowell					SAP								
Sheath length L [mm]								500*					
Thermocouple class for S, R										1, 2			
Thermocouple class for B										2, 3			
Diameter of platinum wire [mm]										0,35; 0,5			
Type of transmitter													Tx*
Setting of transmitter temperature													(0 ÷ 1200) °C*

* or others acc. to requirements

Ordering example

APTTBC-42-10-SAP-500-2-0,5-Tx-(600 ÷ 1600) °C single thermocouple sensor PtRh30-PtRh6, class 2, wire diameter ø0,5 mm in ceramic thermowell SAP with diameter ø10 mm, length L =500 mm, with transmitter (4 + 20) mA, temperature range (600 ÷ 1600) °C