

IAQ tripod

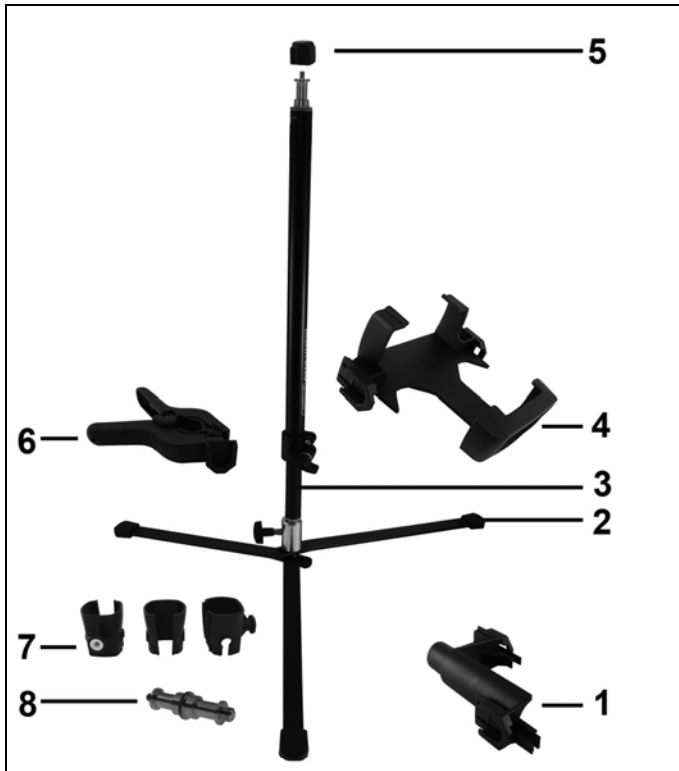
Application information



Use

The tripod for comfort level measurement 0554 0743 is used to secure the hand instrument and various probes for long-term comfort level measurement.

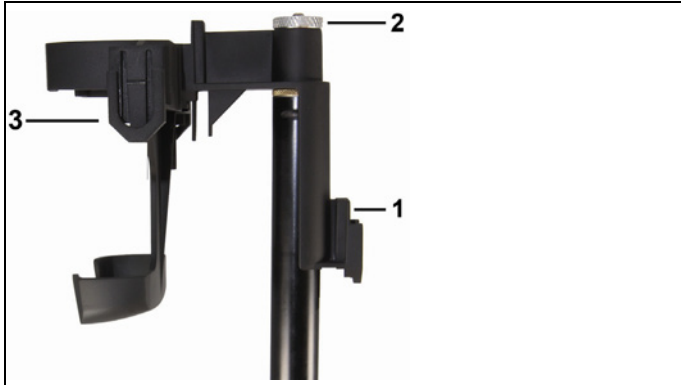
Overview



- 1 Tripod adapter
- 2 Tripod holder
- 3 Tripod tube with two threaded connections (1/4' and 5/16')
- 4 Hand instrument holder
- 5 Transportation protection cap for thread
- 6 Tripod grip
- 7 Probe holder with 1/4' threaded connection
- 8 Replacement thread

Setting up the tripod

1. Screw the tripod tube into the tripod holder so that 1/4" threaded connection is accessible (thicker end of the tripod tube pointing up, see overview diagram).
2. Remove transportation protection cap from 1/4" threaded connection.



3. Place tripod adapter (1) on tripod tube.
4. Fit knurled nuts (2).
5. Click hand instrument holder (3) into place in tripod adapter (1).



-
6. To attach additional probes, clamp the tripod grip (4) in the required position on the tripod tube (e.g. for measuring turbulence at ankle height).
 7. Secure the probe holder (5) to the tripod adapter, hand instrument holder and tripod grip in the required position (horizontal/vertical).
 8. Slide the testo 480 into the hand instrument holder and the required probe into the probe holder, and feed the probe cable through the guide (6).

Additional applications

The tripod tube can be used as an extension, for example for wheel measuring head 100 mm (with optional spherical head art. no. 0554 0489 e.g. for measurements at ceiling vents).



