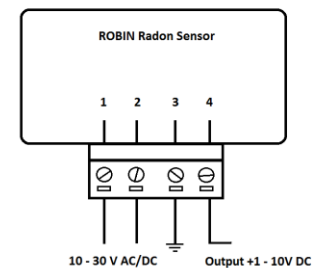
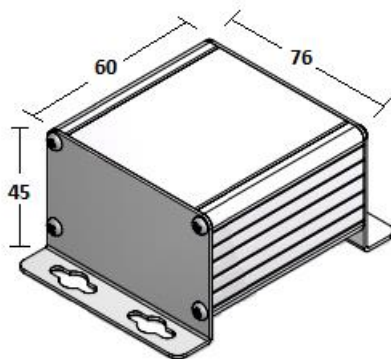


The Gammadata radon sensor ROBIN measures the radon in air and converts the concentration to a proportional output signal. The sensor can be connected to a fan controller, PLC or any other device suitable for analog input signals. The measurement range can be specified by the customer, however the standard sensor range is either 0-400 Bq/m³ or 0 - 4000 Bq/m³.

The sensor has high immunity to EMC and withstands the interference from i.e. thyristor controllers. The radon sensor could be fixed installed in any direction and could be placed in ventilation ducts, air handling units or just stationary in a room. It's independent of the air flow condition and will measure correct in both laminar and turbulent airflow.



- 1) 10 - 30 V AC or DC
- 2) 10 - 30 V AC or DC
- 3) PE
- 4) + analog input

Technical data

Measurement principle:	Filtered diffusion to high voltage measurement chamber
Detection principle:	Alpha spectrometry
Measurement range:	0-400 Bq/m ³ or 0-4000 Bq/m ³ . Possible to customize range
Maximum range:	0-100000 Bq/m ³
Time resolution:	1 h
Connection:	4-pole connector block
Weight:	240 g
Dimension:	60 x 76 x 45 mm (L x W x H)
Power supply:	10 - 30 VAC or DC
Power consumption:	Less than 50 mW
Temperature Range:	Storage 0 - 70°C, Operation 0 - 60°C